

13.01.2023

To
The BSE Limited,
Phiroze Jeejeebhoy Towers,
Dalal Street, Mumbai-400001

Dear Sir/ Madam,

Sub.: Intimation under Regulation 30 of SEBI (Listing Obligations and Disclosure Requirements) Regulations, 2015 - For supply of Halogen Lamps

With reference to the subject captioned above and pursuant to Regulation 30 of SEBI (Listing Obligations and Disclosure Requirements) Regulations, 2015 read with Schedule III, we wish to inform you that M/s Jagan Lamps Limited (herein after referred as 'Jagan Lamps' or 'the Company') has finalized two large orders from Lumileds India Private Limited (herein after referred as 'Lumileds') and Osram Lighting Private Limited (herein after referred as 'OSRAM').

Further, as per the requirements of Regulation 30 of SEBI (Listing Obligations and Disclosure Requirements) Regulations, 2015 read with Schedule III and SEBI Circular no. SEBI/HO/CFD/CFD-PoD-1/P/CIR/2023/123 dated July 13, 2023, we are providing the following details:

Sr. No.	Particulars	Order-1	Order-2
1.	name of the entity awarding the order(s)	Lumileds India Private Limited	Osram Lighting Private Limited
2.	significant terms and conditions of order(s)/contract(s) awarded in brief	Lumileds procures Halogen Lamps from Jagan Lamps, which are sold under the brand name 'PHILIPS' as part of their product portfolio	Osram procures Halogen Lamps from Jagan Lamps, which are sold under the brand name 'OSRAM' as part of their product portfolio



JAGAN LAMPS LTD.

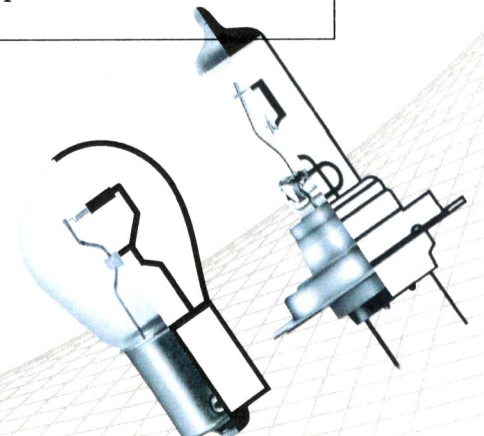
Narela Piao Manihari Road, Kundli, Distt - Sonipat, Haryana-131028 (INDIA)

Tel : 8814805077

E-mail : sales@jaganlamps.com, jagansalesautobulbs@gmail.com

Website : www.jaganlamps.com

CIN : L31501HR1993PLCO33993



3.	whether order(s) / contract(s) have been awarded by domestic/ international entity;	Domestic	Domestic
4.	nature of order(s) / contract(s);	Lumileds procures Halogen Lamps from Jagan Lamps, which are sold under the brand name 'PHILIPS' as part of their product portfolio	Osram procures Halogen Lamps from Jagan Lamps, which are sold under the brand name 'OSRAM' as part of their product portfolio
5.	whether domestic or international	Domestic	Domestic
6.	time period by which the order(s)/contract(s) is to be executed	Not specific	Not specific
7.	broad consideration or size of the order(s)/ contract(s);	despite of price consideration and volume of the order, the order is for a period of one year as and when basis and the period as decided in future	despite of price consideration and volume of the order, the order is for a period of one year as and when basis and the period as decided in future
8.	whether the promoter/ promoter group / group companies have any interest in the entity that awarded the order(s)/ contract(s)? If yes, nature of interest and details thereof	No	No
9.	whether the order(s)/ contract(s) would fall within related party transactions? If yes, whether the same is done at "arm's length	No	No



The buyer is a third-party buyer who does not belong to the Promoter / Promoter Group / Group Companies and the transaction does not fall under the ambit of Related Party Transactions.

None of the Promoters, Directors, Key Managerial Personnel's and/or their relative(s) are interested whether directly / indirectly in the aforesaid matter.

Kindly take the same on your record.

Thanking you,

Yours faithfully,
For Jagan Lamps Limited



Ashish Aggarwal
Managing Director
DIN: 01837337

